

PreGel Liquid Treatment System

INSTRUCTIONS FOR USE

LIQUID TREATMENT SYSTEM

PreGel is intended to be used with disposable suction liners for the solidification of fluids and may be added to the suction liner prior to the start of the procedure.

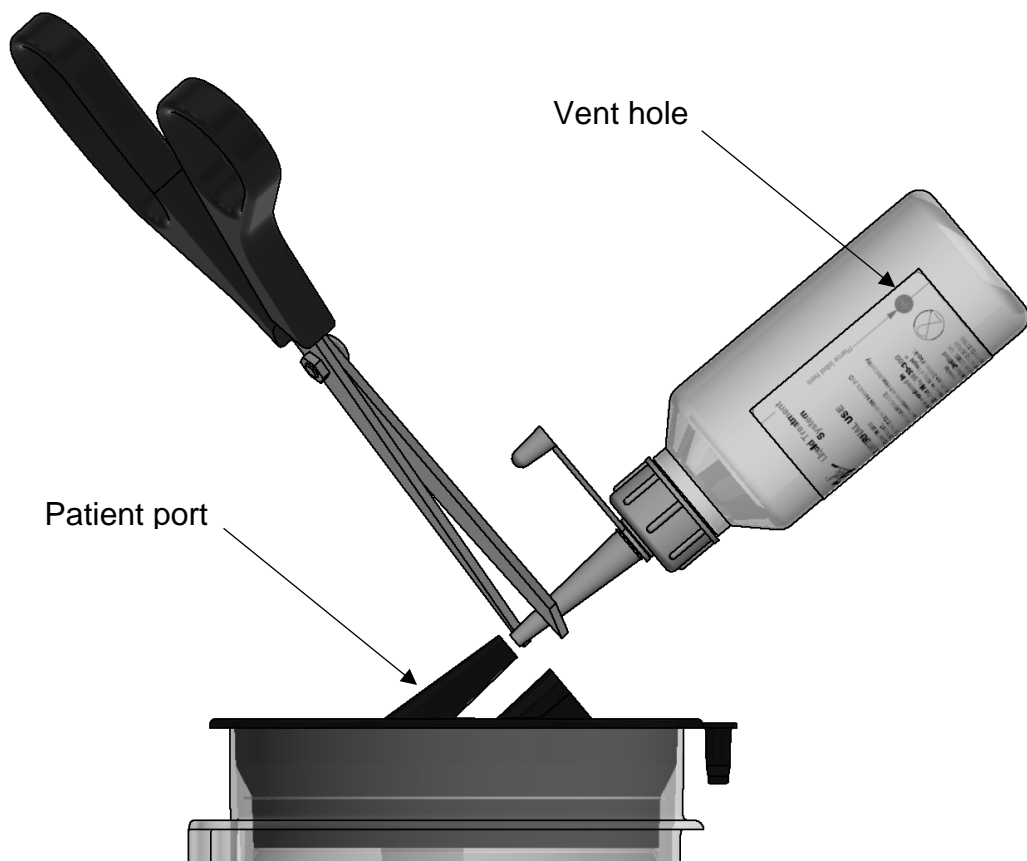
See VacSax catalogue or visit our website at www.VACSAX.COM to discover the full range of equipment supplied by VacSax Limited.

STORAGE:

Material will become slippery when wet. Store in the original container, securely, closed in a cool and dry location. Avoid extremes of temperature and ignition sources.

INSTRUCTIONS FOR USE:

1. Ensure vacuum to the liner is switched on during filling using PreGel bottles.
2. Remove bottle from packaging.
3. Tilt bottle and push blunt object (i.e. pencil) through black spot indicated on bottle to pierce label
4. Remove small cap from end of nozzle
5. Snip off end of nozzle, **DO NOT CUT OFF MORE THAN THE LENGTH OF THE SMALL CAP**
6. Place cap nozzle into liner patient port and gently push onto cap using bottom of bottle.
7. Ensure vent hole is facing upwards.
8. The absorbent granules will now be drawn into liner, use 20g per litre of waste.
9. Remove the PreGel bottle and connect the patient tubing to the patient port.





VacSax Limited
Western Wood Way
Langage Science Park
Plymouth PL7 5BG
Telephone: +44 (1752) 337000
Facsimile: +44 (1752) 337600

EC REP DCC Vital
South county business park
Leopardstown
Dublin 18
Ireland
+ 353 1 290 7055

DISPOSAL AFTER USE

After liner use remove stopper from the rim of the liner cap.
Press the stopper firmly into the patient port.
Disconnect the suction tubing from the liner vacuum port.
Allow sufficient time for the contents of the liner to solidify properly.
Dispose of bottle and liner in accordance with current hospital, state or local policy and procedures.

Re-Order No.

9830-100 PreGel Bottles 36g box of 20

9830-200 PreGel Bottles 72g box of 20

9830-300 PreGel Bottles 108g box of 20

PreGel can also be ordered as

9830-750 PreGel Bottles 750g box of 6

9830-400 PreGel Tub 4Kg

Warning

The VacSax Liquid Treatment System is for single use.

THIS PRODUCT IS "SINGLE USE". DO NOT ATTEMPT TO REPROCESS AS THE MATERIAL CANNOT BE EFFECTIVELY CLEANED THEREFORE THIS RISK OF CROSS CONTAMINATION CANNOT BE ELIMINATED.

USER OF VACSAX PRODUCTS SHOULD BE AWARE OF THE POTENTIAL RISK OF CONTAMINATION AND MUST BE FAMILIAR WITH NATIONAL, LOCAL OR HOSPITAL PROCEDURES FOR DEALING WITH AND DISPOSAL OF POTENTIALLY CONTAMINATED LIQUIDS AND COMPONENTS. ONLY THOSE WHO HAVE RECEIVED ADEQUATE TRAINING SHOULD USE THIS EQUIPMENT.



Wear gloves



Do not eat



Wear eye Protection



Keep dry



Single use

Precautions.

MAY CAUSE EYE/SKIN/RESPIRATORY TRACT INFLAMMATION IF HANDLED INCORRECTLY, WEAR HAND AND EYE PROTECTION WHEN HANDLING WASTE.

DO NOT LEAVE THE PRODUCT UNSUPERVISED WITH PATIENT

DO NOT EAT. SEEK IMMEDIATE MEDICAL ATTENTION IF SWALLOWED

MATERIAL SAFETY DATA SHEET IS AVAILABLE UPON REQUEST

If any serious incident that has occurred in relation to the device, this should be reported to the manufacturer and the competent authority of the Member State in which the user and/or patient is established

Our commitment is to quality

VacSax Limited is an ISO 13485 registered company